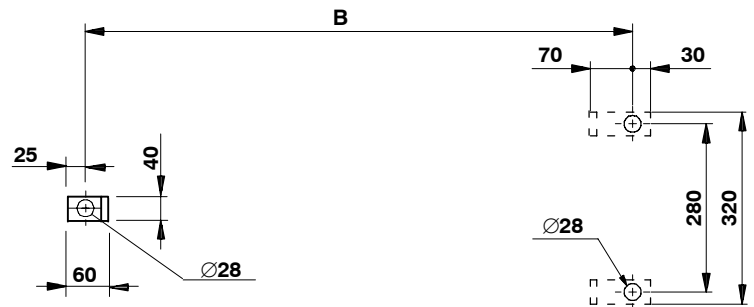
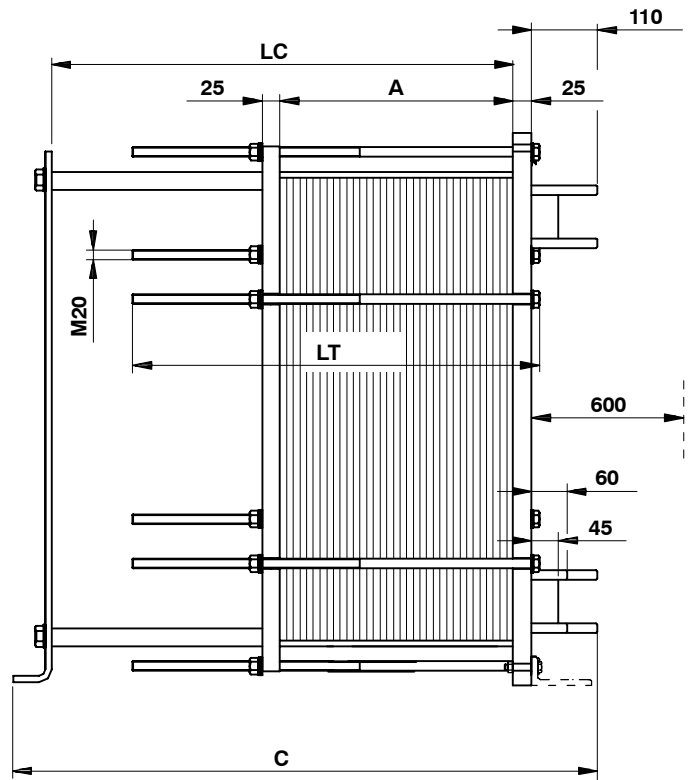
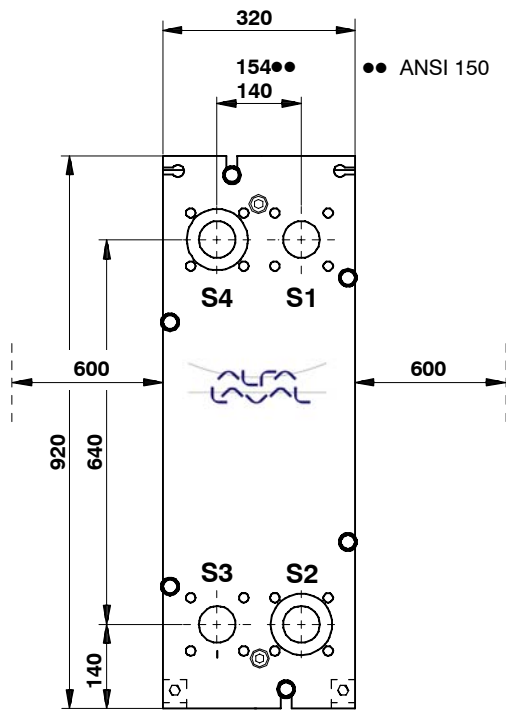




PHE-TYPE M6-FG ALS

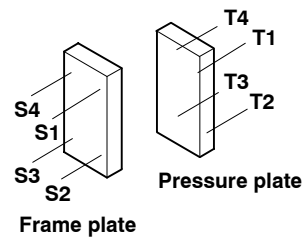


All dimensions in mm

CONNECTION TYPES

See reverse side

CONNECTION LOCATIONS



LOCATION	MEDIA	CONN.TYPE

QUOTATION NO.		
ORDER NO.		
ITEM NO.		
CALCULATION NO.		
PREPARED	CHECKED	APPROVED

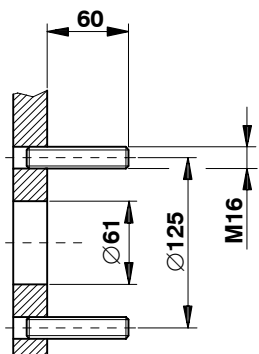
Date	No.	Edition	Dept.
0604	32200-13924	4	PC CHE

CONNECTION TYPES

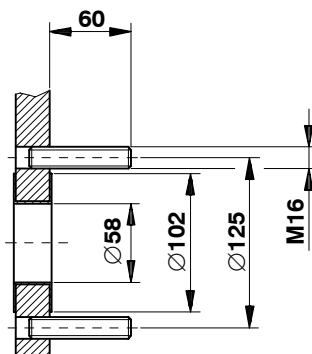
DIN PN16 (A distance ring is necessary in connection hole 2 and 4)

Connection standard DIN PN16 also valid for EN1092 PN16 and GB PN16 and GOST PN16

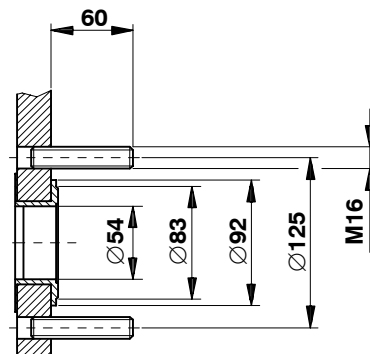
1. Unlined connection



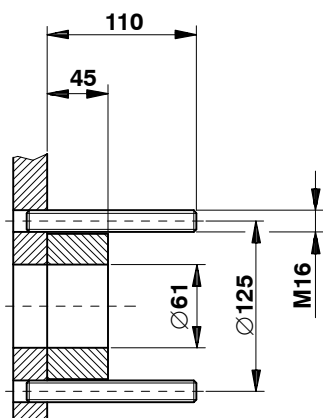
2. Sheet lining



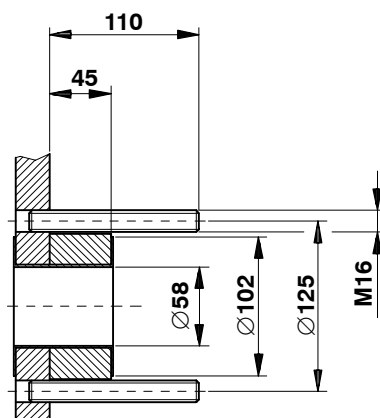
3. Rubber spool



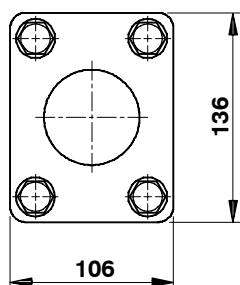
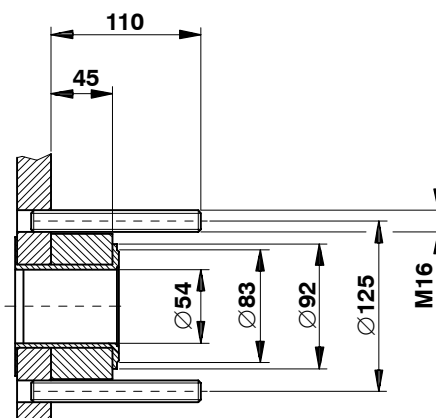
Unlined connection and distance ring



Sheet lining and distance ring



Rubber spool and distance ring

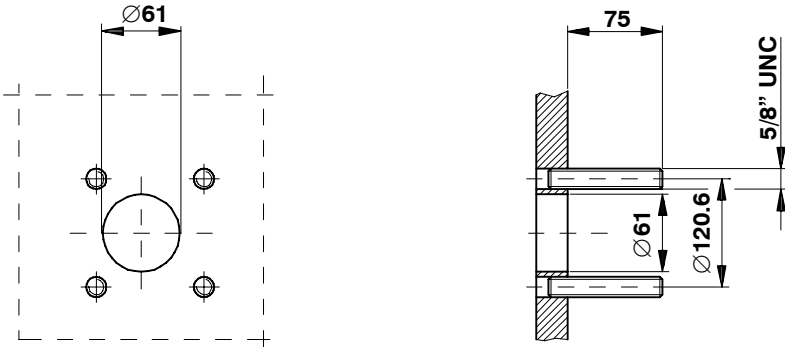


**Special loose flange for the pressure plate.
Delivered with the PHE.**

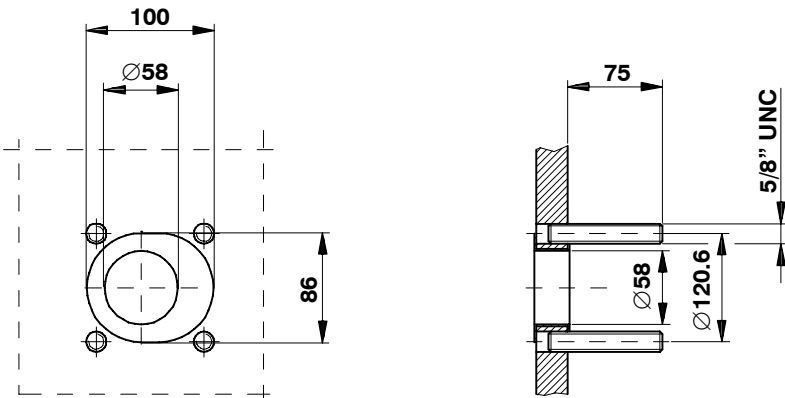
CONNECTION TYPES

ANSI 150 (The centers of stud bolts are moved separately 7 mm)

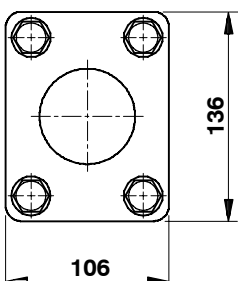
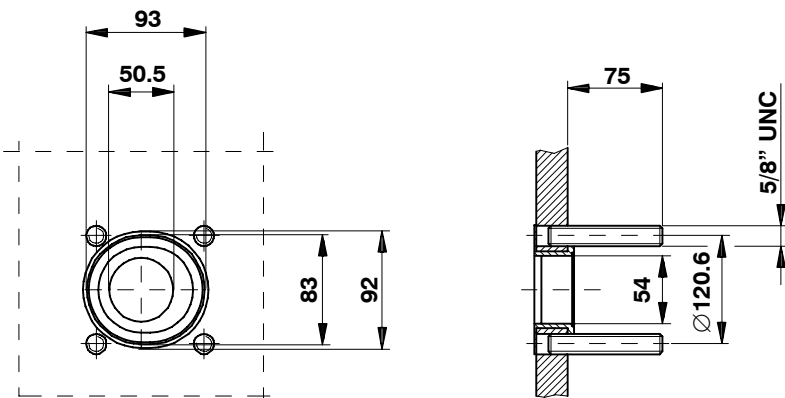
1. Unlined connection



2. Sheet lining



3. Rubber spool

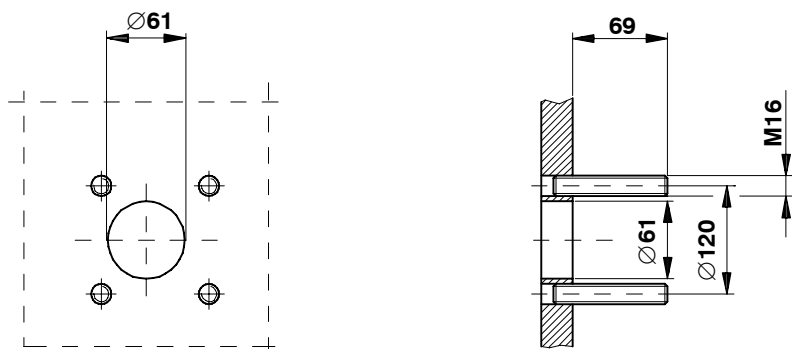


**Special loose flange for
the pressure plate.
Delivered with the PHE.**

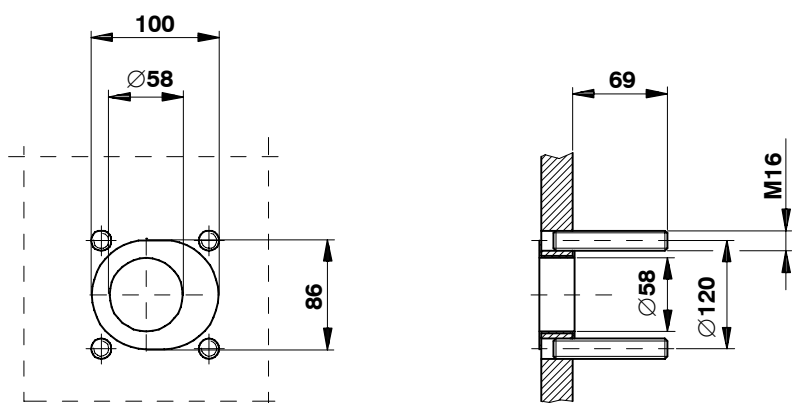
CONNECTION TYPES

JIS 16K (The centers of stud bolts are moved separately 8 mm)

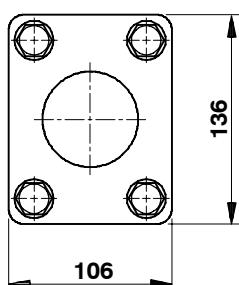
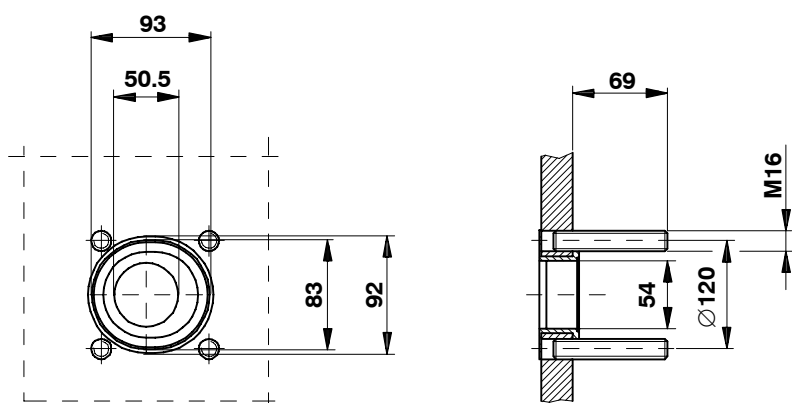
1. Unlined connection



2. Sheet lining



3. Rubber spool



**Special loose flange for
the pressure plate.
Delivered with the PHE.**